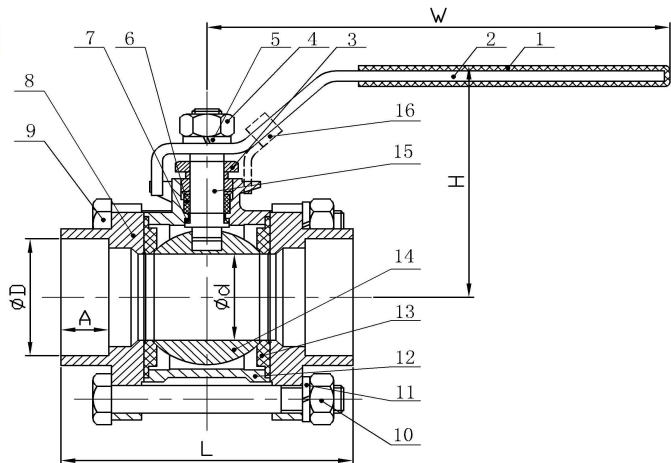


# Cangzhou Changyuan Fittings Co.,Ltd

Add:No.26 Shiqang Road,Development Zone,Cangzhou ,Hebei,China Pc:061000

[Http://www.con-well.com](http://www.con-well.com) email:con-well@vip.163.com



## 3 PC BALL VALVE (Socket welding ,FULL PORT) (mm)

DN	G	d	D	A	L	H	W	Unit Weight(KG)	Qty/Carton
8	1/4"	12.5	14.1	10.0	51.0	45.00	100.00		
10	3/8"	12.5	17.6	10.0	51.0	45.00	100.00		
15	1/2"	15.0	21.7	10.0	62.0	49.00	100.00		
20	3/4"	20.0	27.1	13.0	69.0	60.00	112.00		
25	1"	25.0	33.9	13.0	79.0	64.00	112.00		
32	1 1/4"	32.0	42.6	13.0	96.0	80.00	145.00		
40	1 1/2"	38.0	48.7	13.0	102.0	83.00	145.00		
50	2"	50.0	61.1	16.0	124.0	97.00	165.00		
65	2 1/2"	65.0	77.0	16.0	159.0	118.00	230.0		
80	3"	76.0	89.8	16.0	179.0	125.00	230.0		
100	4"	94.0	115.5	19.0	220.0	169.00	300.0		

### MATERIAL LIST

ITEM	DESCRIPTION	MATERIAL
1	PLASTIC COVER	PLASTIC
2	HANDLE	304
3	GLAND NUT	304
4	STEM NUT	304
5	THRUST WASHER	304
6	STEM PACKING	PTFE
7	BODY SEAL	PTFE
8	CAP	CF8/CF8M
9	BOLT	304
10	NUT	304
11	THRUST WASHER	304
12	BODY	CF8/CF8M
13	BALL SEAT	PTFE/RPTFE
14	BALL	304/316
15	STEM	304/316
16	LOCKING	304

### FEATURES:

- Handle with lock can be choiced.
- Working pressure:1000PSI(PN64).
- Working temperature:-10°C to 150°C.
- Suitable medium:W.O.G.
- Thread: BSP,BSPT,DIN,NPT.
- PED97/23/EC(CE0038)Approved.
- Inspection Testing:API598,EN12266.
- Size of carton:28×23×18.5cm.
- Size of carton for size 4":  
43.5×27×18.50cm.